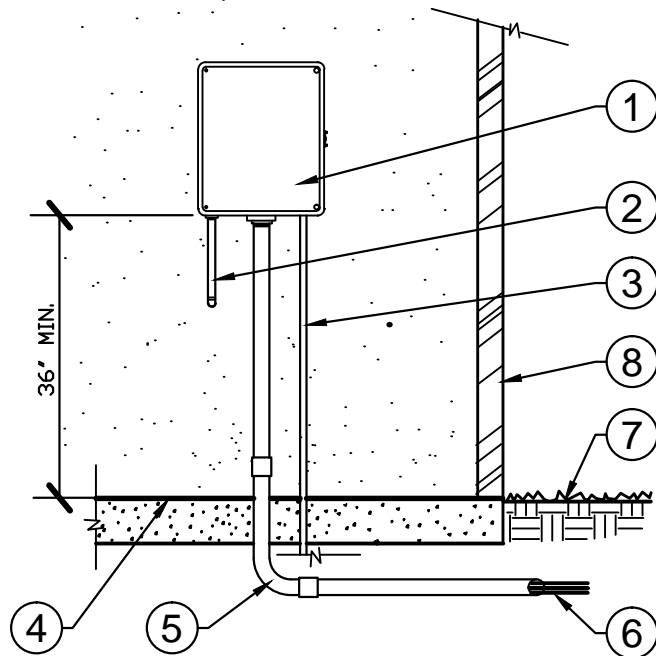


SECTION ELEVATION:



ELEVATION:

LEGEND:

- ① PLASTIC WALL MOUNT ENCLOSURE – HIGH IMPACT PLASTIC WALL MOUNT ENCLOSURE W/ HASP LOCKING MECHANISM FOR NOVO 2WIRE CONVERTER – OWNER TO PROVIDE PADLOCK AS NEEDED.
- ② 115VAC ELECTRICAL POWER SUPPLY WIRES IN CONDUIT.
- ③ 3/4" ELECTRICAL METAL CONDUIT FOR #14AWG BARE COPPER WIRE TO GROUNDING ROD. LOCATE GROUND ROD A MINIMUM OF 10-FT FROM CONTROLLER.
- ④ FLOOR OR PAVEMENT SURFACE.
- ⑤ 3/4" CONDUIT FOR 2-WIRE PATH SIGNAL CABLE TO CONTROL VALVES – ROUTE UNDER FLOOR OR PAVEMENT AS REQUIRED.
- ⑥ DIRECT BURIAL CONTROL WIRES TO CONTROL VALVES.
- ⑦ FINISH GRADE.
- ⑧ WALL OR EDGE OF BUILDING.

NOTE: INSTALL ALL WIRING PER LOCAL CODE.

NOVO 2WIRE CONVERTER - WALL MOUNT

N.T.S.